

Therapeutic Chairs



Comfort

Hygiene

Safety

Therapeutic Chairs



1. Head rest adjustable for any comfortable position
2. Cushioned body supports for extra comfort
3. Movable (horizontal & vertical) fully padded broad armrests with glass holders
4. Adjustable foot rest with removable transparent plastic cover
5. Anti-fungal, Anti-bacterial, easy to clean leatherette upholstery

6. Sturdy & stable steel construction, allows load carrying capacity up to 150 kgs.
7. Best in class Dual lock, Anti-skid, Anti-static PU castors
8. Tissue paper / Towel holder
9. 2/3 independent motors for height, back & foot movements
10. Infusion stand, adjustable both sides (with set of 3 trays – optional)

Specifications subject to change without notice

Therapeutic Chairs

The innovative design of the Dzire 3X Therapeutic Chair underlines the high quality Standards. The comfortable upholstery creates a pleasant environment and feeling of wellbeing for patients. Three electric motors offer simple and smooth movements of all desired positions further adding to patient relaxation whilst receiving treatment.

The remote control provides greater flexibility as all desired chair positions can be adjusted easily.

Dzire Xtreme Comfort

- Specially designed for comfortable physiological posture
- Non deformable Soft PU foam
- Dual padded Back Cushion
- Adjustable Head Support
- Vertical & horizontal armrest movement
- Ergonomically designed for comfortable Posture
- Height adjustment –user friendly for clinical team
- Smooth back rest and foot rest movement

Dzire Xtreme Hygiene

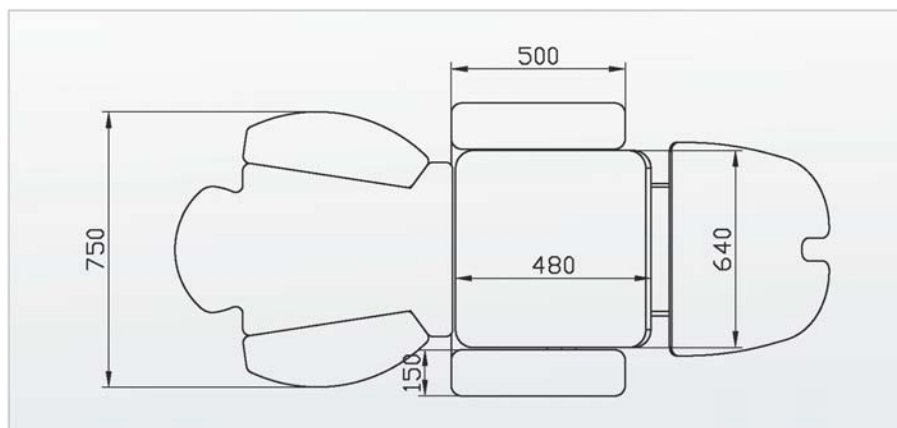
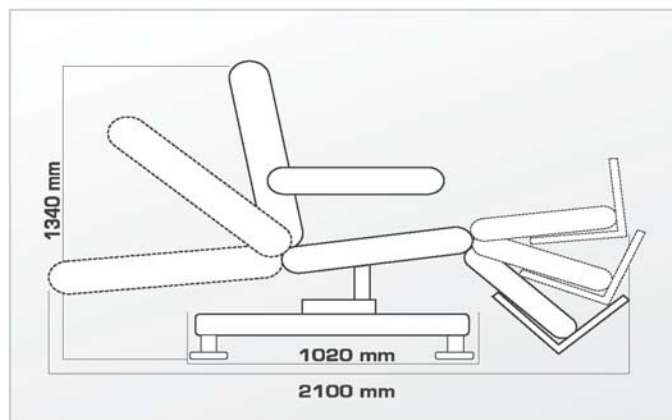
- Removable cushions for cleaning & maintenance
- Epoxy powder coated robust Frame with rounded corners
- Anti-fungal, Anti-bacterial, easy to clean upholstery
- Elegant, easy to clean ABS moulded cover to prevent dust accumulation on mechanism

Dzire Xtreme Safety

- Single touch button for shock position - ensures patient safety
- Anti-static, Anti-skid, Dual lock PU castors
- Sturdy, stable & non-tilt design capable to take weight up to 150 kg



Therapeutic Chairs



Technical Specifications

Parameters	Dzire2X	Dzire3X
No of Motors / Actuators	2	3
Motorized movement	Leg section, Back section	Leg section, Back section, Height adjustment
Foot rest	Spring loaded & Self-adjustable with removable plastic cover	
Wheels	Anti-static, Anti-skid, Dual lock PU castors	
Construction	Epoxy powder coated steel frame	
Removable Cushion	Anti-fungal, Anti-bacterial, leatherette with CFC free PU foam	
Attachments	Infusion stand, adjustable both sides (set of 3 trays – optional)	
Hand rest movement	Vertical & Horizontal movement and height adjustable	
Weight Carrying Capacity	150 kg	
Weight	75kg	85kg
Compliance	EN 60601-1-2006, CE mark	
Electrical	220v-240v 50Hz, Single phase	

Specifications subject to change without notice

V. S. International Pvt. Ltd.

 A-204, Neelam Centre, Hind Cycle Road, Worli, Mumbai - 400 030., INDIA.
 Contact : +91 22 4333 3900 / 2498 8777 Fax: +91 22 6660 8779